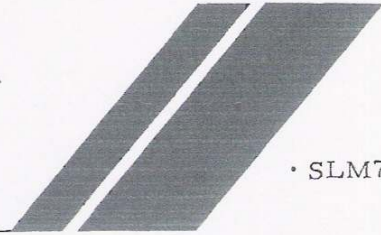




Service



• SLM74-12

INTERNATIONAL TRUCKS

Subject File: GENERAL

March 29, 1974

Serial Number Location of Units Used
On IH Vehicles.

The following information has been prepared to assist field personnel in locating the serial number of various units used on IH vehicles. This letter supersedes Mike Letter SLM70-27

Locating directions (left or right), as referred to in the charts below, pertain to the left or right-hand side of the vehicle as viewed from the driver's seat.

The locating keys referred to in both the charts and illustrations below are used to locate the approximate position of the serial number of a particular unit.

IMPORTANT: When issuing GF-70 or GF-84 complaint reports, it is requested that the serial number of the affected unit and other pertinent information be reported.

CHASSIS SERIAL NUMBER

<u>Truck Model</u>	<u>Serial Number Location</u>
All Models	Stamped on Frame Left Side Rail, Front

TRUCK MODEL

<u>Truck Model</u>	<u>Serial Number Location</u>
All Models (Except Metro)	Stamped on Plate, Cab Door Inner Panel, Left Side
Metro Models	Stamped on Plate, Inside Body Below Windshield, Right Side
Scout II	Right Door Hinge Pillar

FRONT AXLES (I-BEAM TYPE)

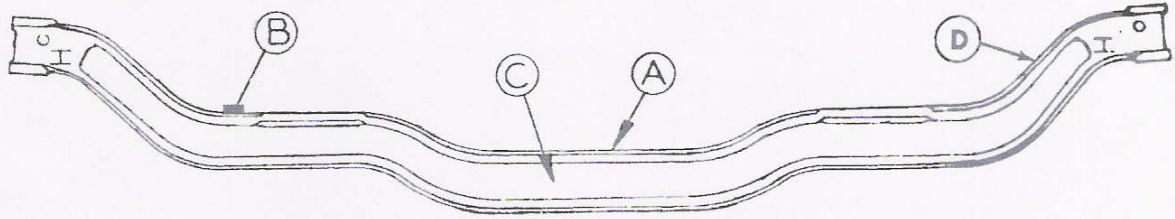


FIG. 1

<u>Axle Model</u>	<u>Code</u>	<u>Key</u>	<u>Serial Number Location</u>
FA-1	02001	A	Top Center of Beam
FA-3	02003	B	Number and Date Stamped on Beam
FA-4	02004	C	Stamped Part Number
FA-10	02010	A	Top Center of Beam
FA-12	02012	B	Stamped Part Number
FA-28	02028	C	Stamped Code Number
FA-40	02040	A	Top Center of Beam
FA-48	02048	B	Left Front Side of Beam
FA-68	02068	B	" " " " "
FA-69	02069	A	Stamped Serial Number
FA-70	02070	A	Top Center of Beam
FA-71	02071	B	Left Front Side of Beam
FA-72	02072	A	Stamped Serial Number
FA-73	02073	B	Left Front Side of Beam
FA-74	02074	A	Stamped Serial Number
FA-91	02091	D	Stamped Part Number and IH Trade Mark
FA-98	02098	A	Stamped Serial Number
FA-99	02099	A	" " "
FA-100	02100	C	Plate, Center of Beam
FA-101	02101	A	Stamped Serial Number
FA-103	02103	A	" " "
FA-105	02105	C	Plate, Center of Beam
FA-109	02109	B	Stamped Part Number
FA-110	02110	C	Plate, Center of Beam
FA-112	02112	C	Plate, Center of Beam
FA-113	02113	C	" " " "
FA-115	02115	C	" " " "
FA-119	02119	B	Left Front Side of Beam
FA-130	02130	B	" " " " "
FA-132	02132	C	Plate, Center of Beam
FA-136	02136	D	Stamped Right Front
FA-139	02139	B	Stamped Part Number
FA-182	02182	C	Plate, Center of Beam
FA-183	02183	C	" " " "
FA-201	02201	C	" " " "
FA-208	02208	C	" " " "
FA-209	02209	C	" " " "
FA-211	02211	C	" " " "
FA-212	02212	C	" " " "

<u>Axle Model</u>	<u>Code</u>	<u>Key</u>	<u>Serial Number Location</u>
FA-215	02215	C	Plate, Center of Beam
FA-218	02218	C	" " " "
FA-219	02219	C	" " " "
FA-225	02225	C	" " " "
FA-228	02228	C	" " " "
FA-229	02229	C	" " " "
FA-309	02309	B	Stamped Part Number
FA-329	02329	B	" " "
FA-339	02339	B	" " "
FA-340	02340	B	" " "

FRONT AXLES (DRIVING)

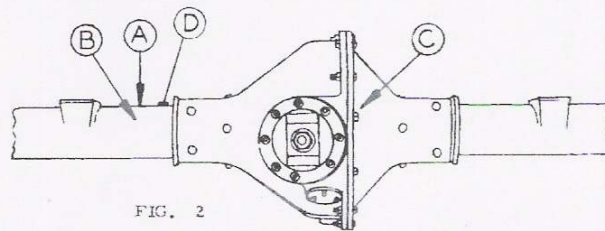


FIG. 2

<u>Axle Model</u>	<u>Code</u>	<u>Key</u>	<u>Serial Number and/or Part Number Location</u>
FA-11	02011	A	Part Number and Date Stamped on Left Side of Housing
FA-13	02013	A	" " " " " " " " " "
FA-14	02014	A	" " " " " " " " " "
FA-15	02015	A	" " " " " " " " " "
FA-16	02016	A	" " " " " " " " " "
FA-18	02018	A	" " " " " " " " " "
FA-21	02021	A	" " " " " " " " " "
FA-24	02024	A	" " " " " " " " " "
FA-25	02025	A	" " " " " " " " " "
FA-44	02044	A	" " " " " " " " " "
FA-45	02045	A	" " " " " " " " " "
FA-46	02046	A	" " " " " " " " " "
FA-52	02052	A	" " " " " " " " " "
FA-54	02054	A	" " " " " " " " " "
FA-57	02057	D	Stamped on Left Front Side of Housing
FA-58	02058	C	On Bolt Circle of Differential
FA-59	02059	D	Stamped on Left Front Side of Housing
FA-62	02062	A	Part Number and Date Stamped on Left Side of Housing
FA-63	02063	A	" " " " " " " " " "
FA-140	02140	D	" " " " " " " " " "
FA-184	02184	A	" " " " " " " " " "
FA-185	02185	A	" " " " " " " " " "
FA-401	02401	B	Stamped on Left Rear Side of Housing

ENGINES

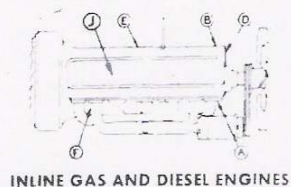
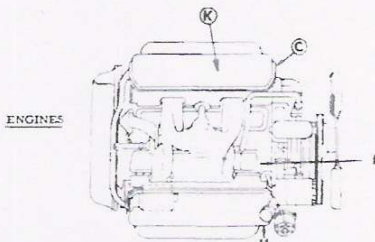
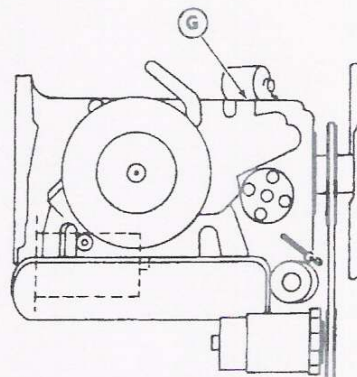


FIG. 3



V-LINE GAS AND DIESEL ENGINES

FIG. 4



4-CYLINDER ENGINE

FIG. 5

<u>Engine</u>	<u>Fig. No.</u>	<u>Key</u>	<u>Serial Number Location</u>
6-232	3	A	Right Side of Crankcase
6-258	3	A	" " " "
BG-241	3	A	Stamped on Crankcase Right Side, Upper Front
BG-265	3	A	" " " " " " " "
BG-282	3	A	" " " " " " " "
BD-308	3	A	" " " " " " " "
RD-372	3	B	Stamped on Crankcase Left Side, Upper Front
RD-406	3	B	" " " " " " " "
RD-450	3	B	" " " " " " " "
RD-501	3	B	" " " " " " " "
4-152	5	G	Stamped on Crankcase Pad Left Side, Upper Front
4-196	5	G	" " " " " " " "
V-266	4	H	Stamped on Crankcase Right Bank, Upper Front
V-304	4	H	" " " " " " " "
V-345	4	H	" " " " " " " "
V-392	4	H	" " " " " " " "
V-400	4	H	Front of Right Cylinder Head Cover
V-401	4	C	Stamped on Crankcase Left Bank, Upper Front
V-478	4	C	" " " " " " " "
V-549	4	C	" " " " " " " "
VS-401	4	H	Stamped on Crankcase Right Bank, Upper Front
VS-478	4	H	" " " " " " " "
VS-549	4	H	" " " " " " " "
FTV-549	4	H	" " " " " " " "
D-301	3	E	Stamped on Pad at Center Left Side of Crankcase
D-354	3	D	Auxiliary Drive Housing
DV-462	4	H	Stamped on Top of Crankcase Right Bank, Front Corner
DV-462B	4	H	" " " " " " " "
DV-550	4	H	" " " " " " " "
DV-550B	4	H	" " " " " " " "
DVT-573	4	I	Stamped on Pad Located Inside of "Vee" Right Front Bank
DVT-573B	4	I	" " " " " " " "
C-160B	3	E	Stamped on Plate Left Side Crankcase, Rear of Engine
C-175B	3	E	" " " " " " " "
C-180B	3	E	" " " " " " " "

<u>Engine</u>	<u>Fig. No.</u>	<u>Key</u>	<u>Serial Number Location</u>
NH-180	3	D	Stamped on Plate Left Side Gear Case, Front of Engine
NHE-195	3	D	" " " " " " " " " " " " " "
NH-220	3	D	" " " " " " " " " " " " " "
NH-230	3	D	" " " " " " " " " " " " " "
NHC-250	3	D	" " " " " " " " " " " " " "
Super 250	3	D	" " " " " " " " " " " " " "
Super 250/270	3	D	" " " " " " " " " " " " " "
NTE-235	3	D	" " " " " " " " " " " " " "
NHCF-270	3	D	" " " " " " " " " " " " " "
NTC-270	3	D	" " " " " " " " " " " " " "
NTC-290	3	D	" " " " " " " " " " " " " "
NTC-335	3	D	" " " " " " " " " " " " " "
NTC-350	3	D	" " " " " " " " " " " " " "
NTC-370	3	D	" " " " " " " " " " " " " "
V-555	3	D	" " " " " " " " " " " " " "
VT-555	3	D	" " " " " " " " " " " " " "
V-903	3	D	" " " " " " " " " " " " " "
VT-903	3	D	" " " " " " " " " " " " " "
V8E-235	4	I	On Bottom "Vee" Near Front of Engine
V8-265	4	I	" " " " " " " " " " " " " "
6V-53N	-	-	Stamped on Option Plate on Cylinder Head Cover
6-71	-	-	" " " " " " " " " " " " " "
6V-71	-	-	" " " " " " " " " " " " " "
8V-71	-	-	" " " " " " " " " " " " " "
12V-71	-	-	" " " " " " " " " " " " " "
D-817	3	F	Stamped on Pad, Right Side Below Rear Exhaust Manifold
DT-817	3	F	" " " " " " " " " " " " " "
CAT-1100 Series	4	K	Plate on Left Valve Cover
CAT-1600 Series	3	J	Plate on Left Side after Cooler Housing

REAR AXLE
(SINGLE REDUCTION)
(DOUBLE REDUCTION)

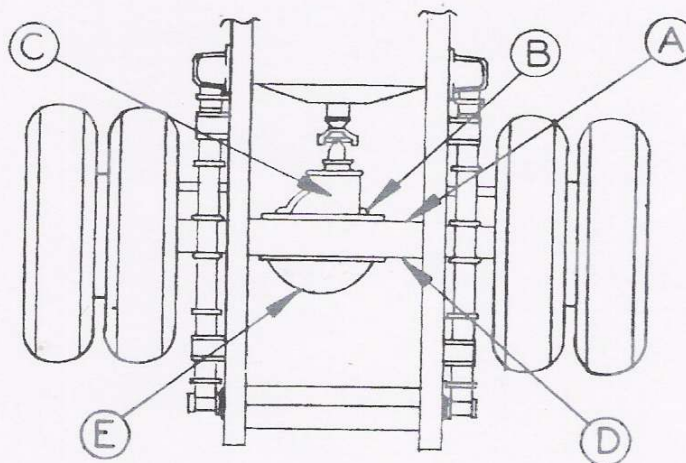


FIG. 6

<u>Axle Models</u>	<u>Code</u>	<u>Key</u>	<u>Serial Number Location</u>
RA-1	14001	A	Part Number and Date on Right Side of Axle Housing
RA-3	14003	B	On Bolt Circle of Differential
RA-4	14004	D	Vendor Model, Right Rear on Housing
RA-5	14005	B	On Bolt Circle of Differential
RA-6	14006	B	" " " " " "
RA-9	14009	D	Vendor Model, Right Rear on Housing
RA-10	14010	B	On Bolt Circle of Differential
RA-11	14011	B	" " " " " "
RA-14	14014	A	Part Number and Date on Right Side of Axle Housing
RA-15	14015	B	On Bolt Circle of Differential
RA-16	14016	A	Part Number and Date on Right Side of Axle Housing
RA-17	14017	A	" " " " " " " " " " " "
RA-18	14018	A	" " " " " " " " " " " "
RA-20	14020	B	On Bolt Circle of Differential
RA-23	14023	A	Part Number and Date on Right Side of Axle Housing
RA-25	14025	B	On Bolt Circle of Differential
RA-28	14028	A	Part Number and Date on Right Side of Axle Housing
RA-30	14030	B	On Bolt Circle of Differential
RA-35	14035	B	" " " " " "
RA-39	14039	B	" " " " " "
RA-43	14043	B	" " " " " "
RA-44	14044	B	" " " " " "
RA-45	14045	B	" " " " " "
RA-47	14047	B	" " " " " "
RA-48	14048	B	" " " " " "
RA-53	14053	A	Part Number and Date on Right Side of Axle Housing
RA-54	14054	A	" " " " " " " " " " " "
RA-55	14055	C	Top of Carrier Near Bolt Circle Flange
RA-57	14057	B	On Bolt Circle of Differential
RA-59	14059	C	Top of Carrier Near Bolt Circle Flange
RA-63	14063	A	Stamped on Right Side of Axle Housing
RA-70	14070	D	Right Rear of Housing Adjacent to Cover
RA-71	14071	D	" " " " " " " "
RA-72	14072	D	" " " " " " " "
RA-73	14073	D	" " " " " " " "
RA-74	14074	D	" " " " " " " "
RA-75	14075	C	Top of Carrier Near Bolt Circle Flange
RA-76	14076	D	Right Rear of Housing Adjacent to Cover
RA-79	14079	A	Stamped on Right Side of Axle Housing
RA-83	14083	A	" " " " " " " "
RA-84	14084	A	" " " " " " " "
RA-246	14246	C	Top of Carrier Near Bolt Circle Flange
RA-252	14252	C	" " " " " " " "
RA-270	14270	D	Right Rear of Housing Adjacent to Cover
RA-272	14272	D	" " " " " " " "
RA-273	14273	D	" " " " " " " "
RA-275	14275	D	" " " " " " " "
RA-276	14276	D	" " " " " " " "
RA-286	14286	C	Top of Carrier Near Bolt Circle Flange
RA-290	14290	D	Right Rear of Housing Adjacent to Cover
RA-292	14292	C	Top of Carrier Near Bolt Circle Flange

REAR AXLE
(Two Speed)

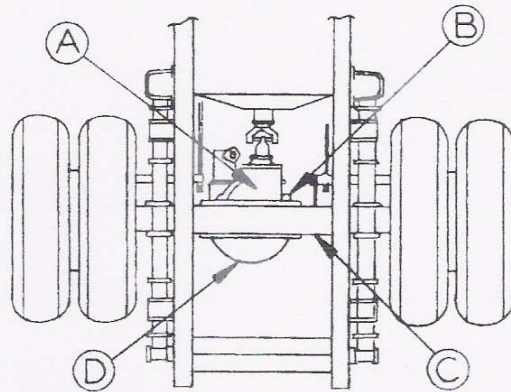


FIG. 7

<u>Axle Models</u>	<u>Code</u>	<u>Key</u>	<u>Serial Number Location</u>
RA-120	14120	A	Top of Carrier Between Oil Scoop Boss and Filler Plug
RA-126	14126	A	" " " " " " " " " " " "
RA-127	14127	A	" " " " " " " " " " " "
RA-136	14136	A	" " " " " " " " " " " "
RA-145	14145	A	" " " " " " " " " " " "
RA-146	14146	A	" " " " " " " " " " " "
RA-147	14147	A	" " " " " " " " " " " "
RA-149	14149	A	" " " " " " " " " " " "
RA-150	14150	A	" " " " " " " " " " " "
RA-152	14152	A	" " " " " " " " " " " "
RA-155	14155	A	" " " " " " " " " " " "
RA-157	14157	A	" " " " " " " " " " " "
RA-158	14158	A	" " " " " " " " " " " "
RA-162	14162	C	Right Rear of Housing Adjacent to Cover
RA-167	14167	C	" " " " " " " " " " " "
RA-170	14170	C	" " " " " " " " " " " "
RA-172	14172	C	" " " " " " " " " " " "
RA-174	14174	C	" " " " " " " " " " " "
RA-175	14175	C	" " " " " " " " " " " "
RA-181	14181	A	Top of Carrier Between Oil Scoop Boss and Filler
RA-186	14186	A	" " " " " " " " " " " "
RA-187	14187	A	" " " " " " " " " " " "
RA-189	14189	A	" " " " " " " " " " " "
RA-192	14192	A	" " " " " " " " " " " "
RA-196	14196	A	" " " " " " " " " " " "
RA-197	14197	A	" " " " " " " " " " " "
RA-199	14199	A	" " " " " " " " " " " "

REAR AXLE
(TANDEM DRIVE)

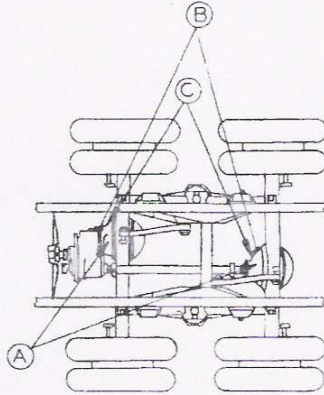


FIG. 8

<u>Axle Models</u>	<u>Code</u>	<u>Key</u>	<u>Serial Number Location</u>
RA-301	14301	A	Top of Carrier
RA-302	14302	A	" " "
RA-303	14303	A	" " "
RA-304	14304	A	" " "
RA-306	14306	A	" " "
RA-310	14310	A	" " "
RA-311	14311	A	" " "
RA-312	14312	A	" " "
RA-313	14313	A	" " "
RA-314	14314	A	" " "
RA-315	14315	B, C	Forward Axle, Front Center Section Below Carrier Rear Axle, Rear Center Section Below Carrier
RA-316	14316	B, C	" " " " " " " " " " "
RA-317	14317	B, C	" " " " " " " " " " "
RA-320	14320	A	Top of Carrier
RA-323	14323	A	" " "
RA-324	14324	A	" " "
RA-325	14325	A	" " "
RA-328	14328	B, C	Forward Axle, Front Center Section Below Carrier Rear Axle, Rear Center Section Below Carrier
RA-329	14329	B, C	" " " " " " " " " " "
RA-330	14330	B, C	" " " " " " " " " " "
RA-331	14331	B, C	" " " " " " " " " " "
RA-333	14333	B, C	" " " " " " " " " " "
RA-334	14334	B, C	" " " " " " " " " " "
RA-335	14335	B, C	" " " " " " " " " " "
RA-336	14336	B, C	" " " " " " " " " " "
RA-341	14341	B	On Bolt Circle of Differential Carrier
RA-344	14344	A	Top of Carrier
RA-346	14346	B, C	Forward Axle, Front Center Section Below Carrier Rear Axle, Rear Center Section Below Carrier
RA-348	14348	B, C	" " " " " " " " " " "
RA-349	14349	B, C	" " " " " " " " " " "

<u>Axle Models</u>	<u>Code</u>	<u>Key</u>	<u>Serial Number Location</u>
RA-351	14351	B	On Bolt Circle of Differential Carrier
RA-355	14355	B	" " " " " "
RA-356	14356	A	Top of Carrier
RA-360	14360	A	" " "
RA-361	14361	A	" " "
RA-364	14364	B, C	Forward Axle, Front Center Section Below Carrier Rear Axle, Rear Center Section Below Carrier
RA-367	14367	B, C	" " " " " " " "
RA-368	14368	B, C	" " " " " " " "
RA-371	14371	B, C	" " " " " " " "
RA-372	14372	B, C	" " " " " " " "
RA-373	14373	B, C	" " " " " " " "
RA-375	14375	B, C	" " " " " " " "
RA-383	14383	B, C	" " " " " " " "
RA-386	14386	B	On Bolt Circle of Differential Carrier
RA-387	14387	B	" " " " " "
RA-388	14388	C	Rear Axle, Rear Center Section Below Carrier
RA-390	14390	A	Top of Carrier
RA-391	14391	A	" " "
RA-392	14392	A	" " "
RA-393	14393	A	" " "
RA-395	14395	A	" " "
RA-399	14399	B, C	Forward Axle, Front Center Section Below Carrier Rear Axle, Rear Center Section Below Carrier
RA-446	14446	A	Top of Carrier
RA-448	14448	A	" " "
RA-449	14449	A	" " "
RA-487	14487	A	" " "
RA-490	14490	A	" " "

STEERING GEARS

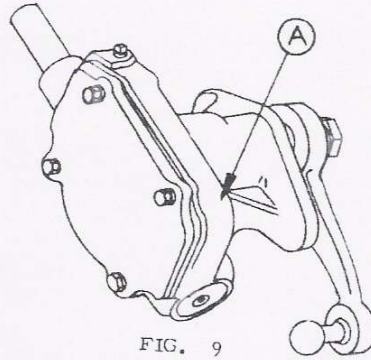


FIG. 9

The following system of symbols are stamped on the gear housing to indicate the month and year of shipment. The symbol is in addition to the specification number, when a specification number is used. For instance, a unit stamped T13079-ZA shows: Shipping date of January 1966.

	<u>1966</u>	<u>1967</u>	<u>1968</u>	<u>1969</u>	<u>1970</u>	<u>1971</u>	<u>1972</u>	<u>1973</u>	<u>1974</u>
January	ZA	AA	BA	CA	DA	EA	FA	GA	HA
February	ZB	AB	BB	CB	DB	EB	FB	GB	HB
March	ZC	AC	BC	CC	DC	EC	FC	GC	HC
April	ZD	AD	BD	CD	DD	ED	FD	GD	HD
May	ZE	AE	BE	CE	DE	EE	FE	GE	HE
June	ZF	AF	BF	CF	DF	EF	FF	GF	HF
July	ZG	AG	BG	CG	DG	EG	FG	GG	HG
August	ZH	AH	BH	CH	DH	EH	FH	GH	HH
September	ZI	AI	BI	CI	DI	EI	FI	GI	HI
October	ZJ	AJ	BJ	CJ	DJ	EJ	FJ	GJ	HJ
November	ZK	AK	BK	CK	DK	EK	FK	GK	HK
December	ZL	AL	BL	CL	DL	EL	FL	GL	HL

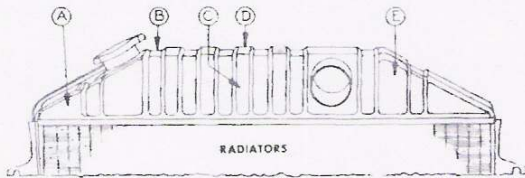


FIG. 10

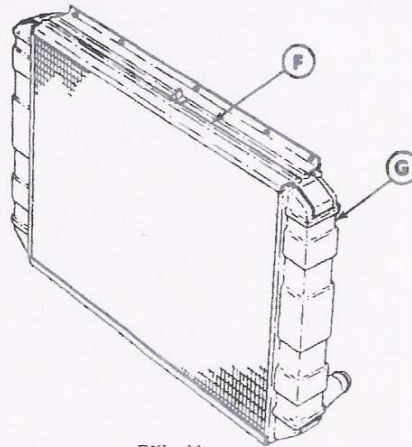
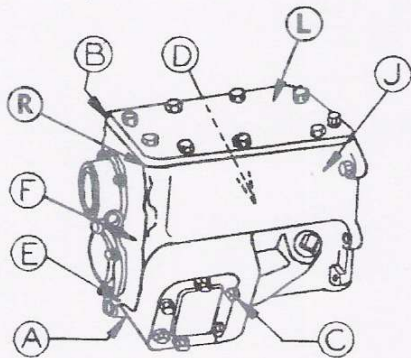


FIG. 11

There are seven different locations where serial numbers and part numbers may be located on radiators used by IH. These locations are shown in Fig. 10 and Fig. 11 and defined below:

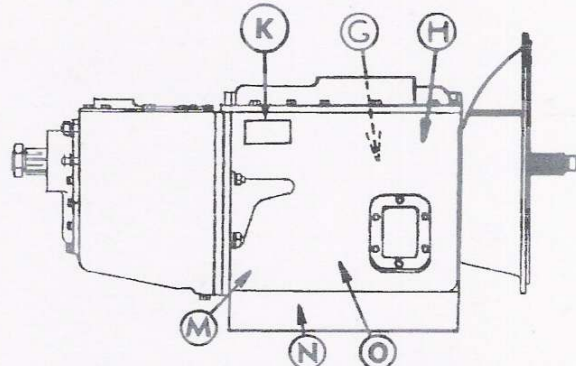
- A - Left Rear Side of Radiator Fig. 10
- B - Left Top Side of Radiator Fig. 10
- C - Rear Center of Radiator Fig. 10
- D - Top Center of Radiator Fig. 10
- E - Right Rear Side of Radiator Fig. 10
- F - Top Left Center of Radiator Fig. 11
- G - Left Side Top of Tank Fig. 11

TRANSMISSIONS



THREE, FOUR, FIVE, SEVEN AND TWELVE-SPEED TRANSMISSION

FIG. 12



EIGHT, TEN, TWELVE, FIFTEEN AND SIXTEEN-SPEED TRANSMISSION

FIG. 13

TRANSMISSIONS

Trans. Models	Code	Fig. No.	Key	Serial Number Location
T-4	13004	12	A	Stamped on Bottom Rear of Case
T-5	13005	12	B	Stamped on Top Left Rear of Case
T-7	13007	12	B	" " " " " " " "
T-8	13008	12	A	Stamped on Bottom Rear of Case
T-13	13013	12	D	Casting Number and Date
T-14	13014	12	D	" " " "
T-15	13015	12	B	Stamped on Top Left Rear of Case
T-16	13016	12	B	Stamped on Top Left Rear of Case
T-17	13017	12	D	Casting Number and Date
T-18	13018	12	D	" " " "
T-19	13019	12	D	" " " "
T-24	13024	-	-	Bottom Rear of Case
T-28	13028	12	D	Stamped on Plate Left Side
T-29	13029	12	D	" " " " " "

<u>Trans. Models</u>	<u>Code</u>	<u>Fig. No.</u>	<u>Key</u>	<u>Serial Number Location</u>
T-32	13032	12	E	Stamped Above Drain Plug
T-33	13033	12	E	" " " "
T-34	13034	12	E	" " " "
T-35	13035	12	E	" " " "
T-36	13036	12	E	" " " "
T-39	13039	12	O	Stamped on Plate Left Side
T-42	13042	12	J	Right Side of Case
T-44	13044	12	B	Machined Surface, Left Rear Top Case
T-45	13045	12	B	" " " " " "
T-48	13048	13	G	Stamped on Plate Left Side
T-49	13049	12	O	" " " " "
T-50	13050	12	F	Stamped Above Idler Shaft Rear of Case
T-51	13051	12	F	" " " " " " "
T-53	13053	12	J	Plate Right Side of Case
T-54	13054	12	J	" " " " "
T-56	13056	12	D	Stamped Left Side Upper Rear of Case
T-57	13057	12	J	Plate Right Side of Case
T-59	13059	12	F	Stamped Above Idler Shaft Rear of Case
T-60	13060	12	F	" " " " " " "
T-61	13061	12	F	" " " " " " "
T-62	13062	12	F	" " " " " " "
T-63	13063	12	F	" " " " " " "
T-64	13064	12	F	" " " " " " "
T-66	13066	12	D	Stamped Plate Left Side Rear Top of Case
T-68	13068	12	D	" " " " " " "
T-69	13069	12	D	" " " " " " "
T-70	13070	12	E	Stamped Above Drain Plug
T-71	13071	12	E	" " " " "
T-72	13072	12	E	" " " " "
T-73	13073	12	E	" " " " "
T-74	13074	12	D	Plate Left Side of Case
T-75	13075	13	G	" " " " "
T-76	13076	13	G	" " " " "
T-78	13078	12	E	Stamped Above Drain Plug
T-81	13081	13	H	Plate Right Side of Front Case
T-82	13082	12	B	Plate Top Left Rear of Case
T-83	13083	12	D	Stamped Plate Left Side
T-88	13088	12	D	" " " " "
T-89	13089	13	K	Plate Right Side Upper Rear Case
T-90	13090	13	H	Plate Right Side of Front Case
T-91	13091	13	H	" " " " " "
T-99	13099	12	B	Stamped Plate Left Rear
T-100	13100	12	D	Stamped Plate Left Side
T-101	13101	12	D	" " " " "
T-104	13104	12	J	Plate Right Side of Case
T-105	13105	12	J	" " " " "
T-106	13106	12	J	" " " " "
T-107	13107	12	J	" " " " "
T-109	13109	12	D	Stamped Plate Left Side Lower Rear of Case
T-110	13110	13	O	" " " " " " "
T-111	13111	13	O	" " " " " " "
T-112	13112	13	O	" " " " " " "
T-113	13113	13	O	" " " " " " "
T-114	13114	13	O	" " " " " " "

<u>Trans. Models</u>	<u>Code</u>	<u>Fig. No.</u>	<u>Key</u>	<u>Serial Number Location</u>
T-116	13116	12	F	Stamped Above Idler Shaft Rear of Case
T-118	13118	12	D	Stamped Plate Left Side Lower Rear of Case
T-121	13121	12	D	" " " " " " " "
T-122	13122	12	D	" " " " " " " "
T-124	13124	12	D	" " " " " " " "
T-125	13125	12	D	" " " " " " " "
T-126	13126	12	J	Plate Right Side of Case
T-128	13128	13	K	Plate Right Side Upper Rear of Case
T-129	13129	13	K	" " " " " " " "
T-130	13130	13	K	Plate Right Side of Front Case
T-135	13135	12	J	Plate Right Side of Case
T-136	13136	12	J	" " " " " " " "
T-137	13137	12	J	" " " " " " " "
T-203	13203	13	H	Plate Right Side of Front Case
T-204	13204	12	D	Plate Left Side of Case
T-210	13210	12	J	Plate Right Side of Case
T-211	13211	12	J	" " " " " " " "
T-212	13212	12	J	" " " " " " " "
T-214	13214	12	J	" " " " " " " "
T-220	13220	12	D	Plate Left Side of Case
T-223	13223	12	D	" " " " " " " "
T-224	13224	12	D	" " " " " " " "
T-228	13228	13	H	Plate Right Side of Front Case
T-230	13230	13	H	" " " " " " " "
T-231	13231	13	H	" " " " " " " "
T-233	13233	13	H	" " " " " " " "
T-248	13248	13	H	" " " " " " " "
T-249	13249	12	D	Stamped Plate Left Side Case Upper Front
T-251	13251	12	D	" " " " " " " "
T-252	13252	12	J	Plate Right Side of Case
T-257	13257	12	D	Stamped Plate Left Side Case Upper Front
T-261	13261	12	D	" " " " " " " "
T-263	13263	12	D	Stamped Plate Left Side Case
T-264	13264	12	D	" " " " " " " "
T-266	13266	12	D	" " " " " " " "
T-268	13268	12	D	" " " " " " " "
T-273	13273	12	D	" " " " " " " "
T-274	13274	12	D	" " " " " " " "
T-275	13275	12	D	" " " " " " " "
T-276	13276	12	D	" " " " " " " "
T-277	13277	12	D	" " " " " " " "
T-278	13278	12	D	" " " " " " " "
T-279	13279	12	D	" " " " " " " "
T-283	13283	12	D	" " " " " " " "
T-287	13287	12	D	" " " " " " " "
T-288	13288	12	D	" " " " " " " "
T-292	13292	12	D	" " " " " " " "
T-298	13298	12	D	" " " " " " " "
T-309	13309	12	B	Stamped Plate Left Rear
T-316	13316	13	K	Stamped Plate Right Rear Top
T-317	13317	12	D	Stamped Plate Left Side Case
T-320	13320	12	D	" " " " " " " "
T-322	13322	12	D	" " " " " " " "

<u>Trans. Models</u>	<u>Code</u>	<u>Fig. No.</u>	<u>Key</u>	<u>Serial Number Location</u>
T-323	13323	12	D	Stamped Plate Left Side Case
T-324	13324	12	D	" " " " "
T-326	13326	12	D	" " " " "
T-331	13331	12	R	Stamped Right Rear Top
T-332	13332	12	R	" " " " "
T-334	13334	13	K	Plate Right Side of Case
T-335	13335	12	D	Stamped Plate Left Side
T-336	13336	12	D	" " " " "
T-337	13337	12	D	" " " " "
T-338	13338	12	D	" " " " "
T-339	13339	12	D	" " " " "
T-340	13340	12	D	" " " " "
T-345	13345	13	K	Plate Right Side of Case
T-346	13346	13	K	" " " " "
T-347	13347	12	D	Stamped Plate Left Side
T-348	13348	12	D	" " " " "
T-349	13349	13	K	Plate Right Side of Case
T-355	13355	12	D	Plate Left Side Rear of Case
T-356	13356	12	D	" " " " " "
T-359	13359	12	D	" " " " " "
T-360	13360	12	D	Stamped Plate Left Side Lower Rear of Case
T-362	13362	12	D	Stamped Plate Left Side
T-365	13365	13	G	Plate Left Side of Case
T-372	13372	12	D	Plate Left Side Front
T-375	13375	12	D	" " " " "
T-376	13376	12	D	" " " " "
T-377	13377	12	D	" " " " "
T-378	13378	12	D	" " " " "
T-379	13379	12	D	" " " " "
T-380	13380	12	D	" " " " "
T-381	13381	12	D	" " " " "
T-383	13383	12	D	" " " " "
T-384	13384	12	D	" " " " "
T-388	13388	12	D	" " " " "
T-389	13389	12	D	" " " " "
T-390	13390	12	D	" " " " "
T-391	13391	12	D	" " " " "
T-392	13392	12	D	" " " " "
T-399	13399	12	D	" " " " "
T-400	13400	12	D	" " " " "
T-401	13401	12	F	Stamped Above Idler Shaft Rear of Case
T-402	13402	12	F	" " " " " " "
T-403	13403	12	F	" " " " " " "
T-404	13404	12	F	" " " " " " "
T-405	13405	12	D	Plate Left Side
T-407	13407	13	N	Stamped on Left Side Oil Pan Flange
T-409	13409	12	O	Stamped on Plate Left Side
T-411	13411	12	E	Stamped Above Drain Plug
T-412	13412	12	E	" " " " "
T-413	13413	12	E	" " " " "
T-414	13414	12	E	" " " " "
T-415	13415	12	E	" " " " "
T-417	13417	12	C	Stamped PTO Access Cover

<u>Trans. Models</u>	<u>Code</u>	<u>Fig. No.</u>	<u>Key</u>	<u>Serial Number Location</u>
T-418	13418	12	B	Stamped Top Left Rear of Case
T-419	13419	12	B	" " " " " "
T-420	13420	13	K	Plate Right Rear
T-422	13422	13	G	Plate Left Side Front
T-424	13424	13	G	" " " "
T-425	13425	12	D	Stamped Plate Right Side
T-427	13427	12	B	Stamped Top Left Rear of Case
T-428	13428	12	B	" " " " " "
T-429	13429	12	D	Stamped Plate Right Side
T-430	13430	12	D	" " " "
T-431	13431	12	D	" " " "
T-434	13434	12	E	Stamped Above Drain Plug
T-435	13435	12	E	" " " "
T-436	13436	12	E	" " " "
T-437	13437	12	D	Plate Left Side
T-439	13439	12	D	Plate Left Side Front
T-440	13440	12	D	" " " "
T-441	13441	12	D	" " " "
T-445	13445	12	B	Machined Surface Left Rear Top of Case
T-448	13448	13	G	Plate Left Side Front
T-451	13451	13	M	Stamped Plate Right Rear
T-454	13454	13	M	" " " "
T-456	13456	12	L	Left Front Top of Case
T-459	13459	13	K	Plate Right Rear Top
T-460	13460	13	K	" " " "
T-462	13462	13	K	" " " "
T-463	13463	13	K	" " " "
T-464	13464	13	M	Stamped Plate Right Rear
T-465	13465	13	M	" " " "
T-466	13466	13	K	Plate Right Rear Top
T-467	13467	13	K	" " " "
T-468	13468	13	K	" " " "
T-474	13474	13	M	Stamped Plate Right Rear
T-475	13475	13	M	" " " "
T-480	13480	12	L	Left Front Top of Case
T-486	13486	13	M	Stamped Plate Right Rear
T-487	13487	13	K	Stamped Plate Right Rear Top
T-488	13488	13	M	Stamped Plate Right Rear
T-489	13489	13	M	" " " "
T-494	13494	12	E	Stamped Right Rear Bottom
T-495	13495	12	E	" " " "
T-496	13496	12	E	" " " "

AUXILIARY TRANSMISSIONS

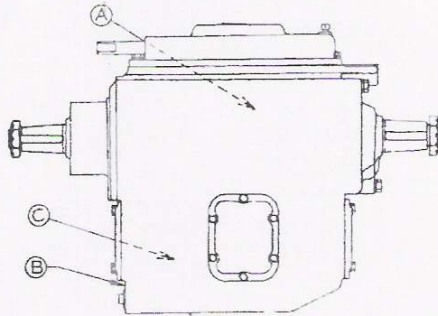


FIG. 14

<u>Trans. Models</u>	<u>Code</u>	<u>Key</u>	<u>Serial Number Location</u>
AT-501	13501	A	Plate Left Side of Case
AT-510	13510	B	Stamped Above Drain Plug
AT-522	13522	A	Plate Left Side of Case
AT-523	13523	A	" " " " "
AT-524	13524	A	" " " " "
AT-527	13527	C	" " " " "
AT-528	13528	C	" " " " "
AT-529	13529	C	" " " " "
AT-530	13530	C	" " " " "
AT-536	13536	C	" " " " "
AT-539	13539	A	" " " " "
AT-540	13540	A	" " " " "
AT-542	13542	A	" " " " "
AT-546	13546	A	" " " " "
AT-549	13548	A	" " " " "
AT-551	13551	A	" " " " "
AT-553	13553	A	" " " " "
AT-556	13556	C	" " " " "
AT-601	13601	A	" " " " "
AT-610	13610	A	" " " " "
AT-620	13620	A	" " " " "
AT-621	13621	A	" " " " "
AT-625	13625	A	" " " " "
AT-630	13630	A	" " " " "

TRANSFER CASE

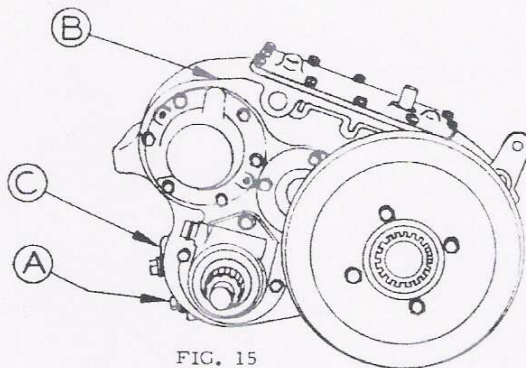


FIG. 15

<u>Models</u>	<u>Code</u>	<u>Fig. No.</u>	<u>Key</u>	<u>Serial Number Location</u>
TC-141	13141	15	A	Stamped at Drain Plug
TC-142	13142	-	-	Front Center
TC-143	13143	-	-	Stamped Back Lower Right
TC-144	13144	15	B	Top of Case
TC-145	13145	15	B	Vendor Model Cast on Case
TC-155	13155	15	B	Top of Case
TC-160	13160	15	C	On Boss at Filler Plug
TC-163	13163	15	C	" " " " "
TC-164	13164	15	C	" " " " "
TC-165	13165	15	C	" " " " "
TC-166	13166	15	C	" " " " "
TC-167	13167	15	C	" " " " "
TC-168	13168	15	C	" " " " "
TC-169	13169	15	C	" " " " "
TC-170	13170	15	C	" " " " "
TC-183	13183	15	C	" " " " "
TC-184	13184	15	C	" " " " "

CLUTCH

Manufacture

Lipe- Rollway
Spicer- Dana
Rockford

Serial Number or Part Number Location

Plate on Pressure Plate Cover
" " " " "
Stamped on Pressure Plate Cover

Proper Interpretation of Vehicle Identification Numbers and Letters on Vehicle Capacity Plate (for Years 1973 Forward).

Since all International vehicles are identified by a thirteen (13) digit Vehicle Identification Number (VIN), the text and illustration herein are being issued to assist those individuals concerned in proper interpretation of the numbers and letters as they appear on the vehicle capacity plate.

If the vehicle identification number is properly interpreted, it will be particularly beneficial to all Company personnel, dealers, state licensing bureaus, municipalities, fleet accounts, governmental organizations and any other individuals who utilize International Harvester Company's VIN numbers in their operation.

IMPORTANT: A number of International chassis were manufactured in which an IH was inadvertently used at the beginning of the vehicle identification number (VIN), thus resulting in a fifteen (15) digit code number. Since state licensing groups or other organizations who process vehicle identification numbers cannot handle more than thirteen (13) digits, the IH on the capacity plate must be disregarded when the vehicle identification number is recorded for any reason.

Definition of Numbers and Letters on Vehicle Capacity Plate.

Using a C-04070A Transtar serial number 3T0C7CGA10001 as an example, the following will define the use of each letter or number which appears on the vehicle capacity plate:

VEHICLE IDENTIFICATION NUMBER - VIN STRUCTURE

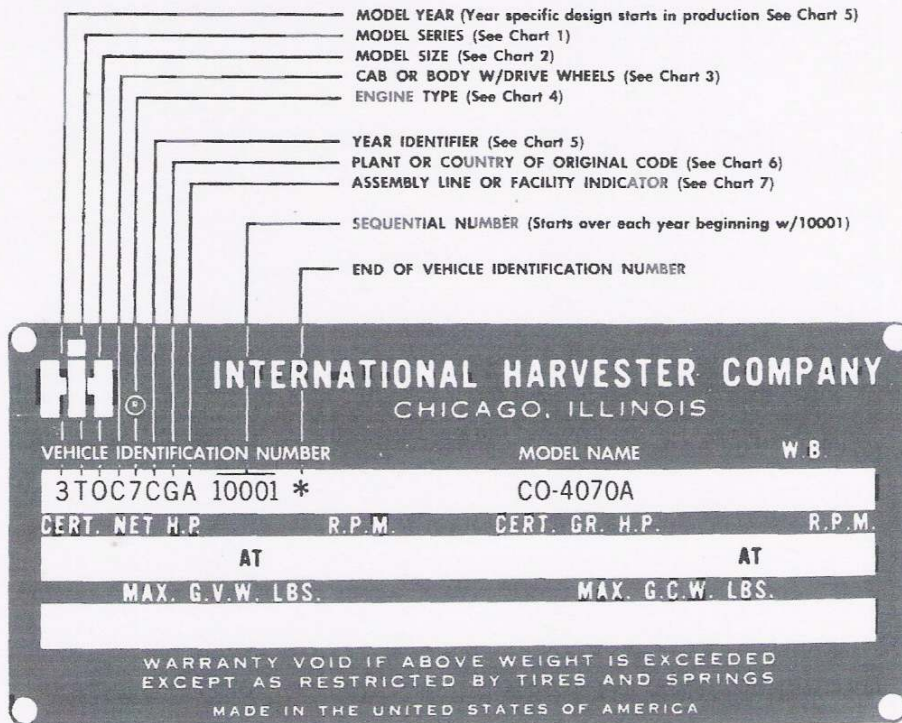


CHART NO. 1

Model Series Code

- B = FC Bus Chassis
- F = Fleetstar
- H = Light Line 4x2
- L = Loadstar & Cargostar
- P = Paystar
- Q = Light Line 4x4

- R = RE-Rear Engine Chassis
- S = Scout
- T = Transtar
- U = Unistar
- V = MS Multi-Stop Chassis
- W = Motor Home
- Y = Fire Truck (Hendrickson)

CHART NO. 2

Model Size Code

- 0 = 1010, 2000, 4000, 5000
- 1 = 1110, 2100, 4100, 100
- 2 = 1210, 4200, 200
- 3 = 1310, 4300
- 5 = 1510, 500
- 6 = 1600
- 7 = 1700
- 8 = Scout, 1800
- 9 = 1900

CHART NO. 3

Cab or Body W/Drive Wheels

- A = CBE 4x2
- B = CBE 4x2 Bus
or
CBE 4x2 W/Pickup Body
- C = COE 4x2
- D = Travelette Cab
- E = Travelette Cab W/Pickup Body
or
CBE 4x2 Trailer Toter
- H = Travelall or Travel Top
- J = Front End Section
- K = CBE 4x4
- L = CBE 4x4 Bus
- M = COE 4x4
- S = CBE 6x4
- T = COE 6x4
- U = CBE 6x6
- V = COE 6x6

CHART NO. 4

Engine Type Code

Scout Only: 6-8 = 6 Cyl., 8 Cyl.

All Other Models

1 of 2 = Gas or LPG Engines

- 3 = Small Diesel
- 5 = Medium Diesel
- 7 = Large Diesel

CHART NO 5

Year Identifier

C = 1973; D = 1974; E = 1975; Etc.

(With 24 Year Cycle.)

Model Year

3 = 1973; 4 = 1974; Etc.

CHART NO 6

Plant or Country of Origin Code

A = Australia

B = Great Britain

C = Chatham, Ontario, Canada

D = Germany

G = Fort Wayne, Indiana, USA

H = Springfield, Ohio, USA

J = South Africa (Johannesburg)

K = Japan

ME = Mexico

P = Philippines

T = Turkey

Y = San Leandro, California, USA

CHART NO. 7

Assembly Line or Facility Indicator

A = A Line

B = B Line

C = C Line

D = D Line

H = Hendrickson (W/Plant Code G)

N = NAMCO (W/Plant Code H)